

Service Manual

Supplement

Tuner

ST-HD51

Amplifier

SE-HD51

Compact Disc Player

SL-HD51

Colour

(N) ... Gold Type

Areas

E Europe.

EB Great Britain.

EG Germany and
Italy, etc.

EP Europe and Russia.

■ This document is supplementary to the following Service Manuals:

Model No.	Area Code	Order No.
ST-HD51	(E) (EG)	AD9802030C2
SE-HD51	(E) (EB) (EG) (EP)	AD9802031C2
SL-HD51	(E)	AD9803047C2

■ Purpose

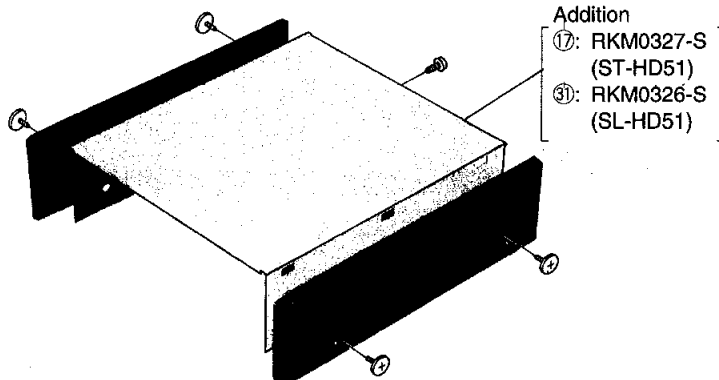
Cabinets of those models to be supplied are as shown below.

CHANGE

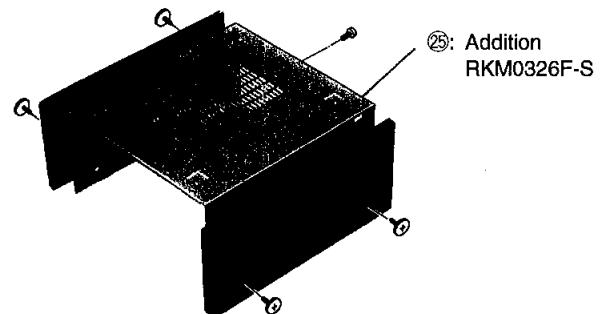
■ Cabinet Parts Location

[ST-HD51: Refer to page 30 of Service Manual. / SE-HD51: Refer to page 21 of Service Manual.]
[SL-HD51: Refer to page 34 of Service Manual.]

● ST-HD51/SL-HD51



● SE-HD51



⚠ WARNING

This service information is designed for experienced repair technicians only and is not designed for use by the general public. It does not contain warnings or cautions to advise non-technical individuals of potential dangers in attempting to service a product. Products powered by electricity should be serviced or repaired only by experienced professional technicians. Any attempt to service or repair the product or products dealt with in this service information by anyone else could result in serious injury or death.

© 1998 Matsushita Electric Industrial Co., Ltd.
All rights reserved. Unauthorized copying and distribution is a violation of law.

Technics®

Printed in Japan
H981105800 TN/HH